

Stops Reverse Fan Windmilling

FOR BELT DRIVE APPLICATIONS

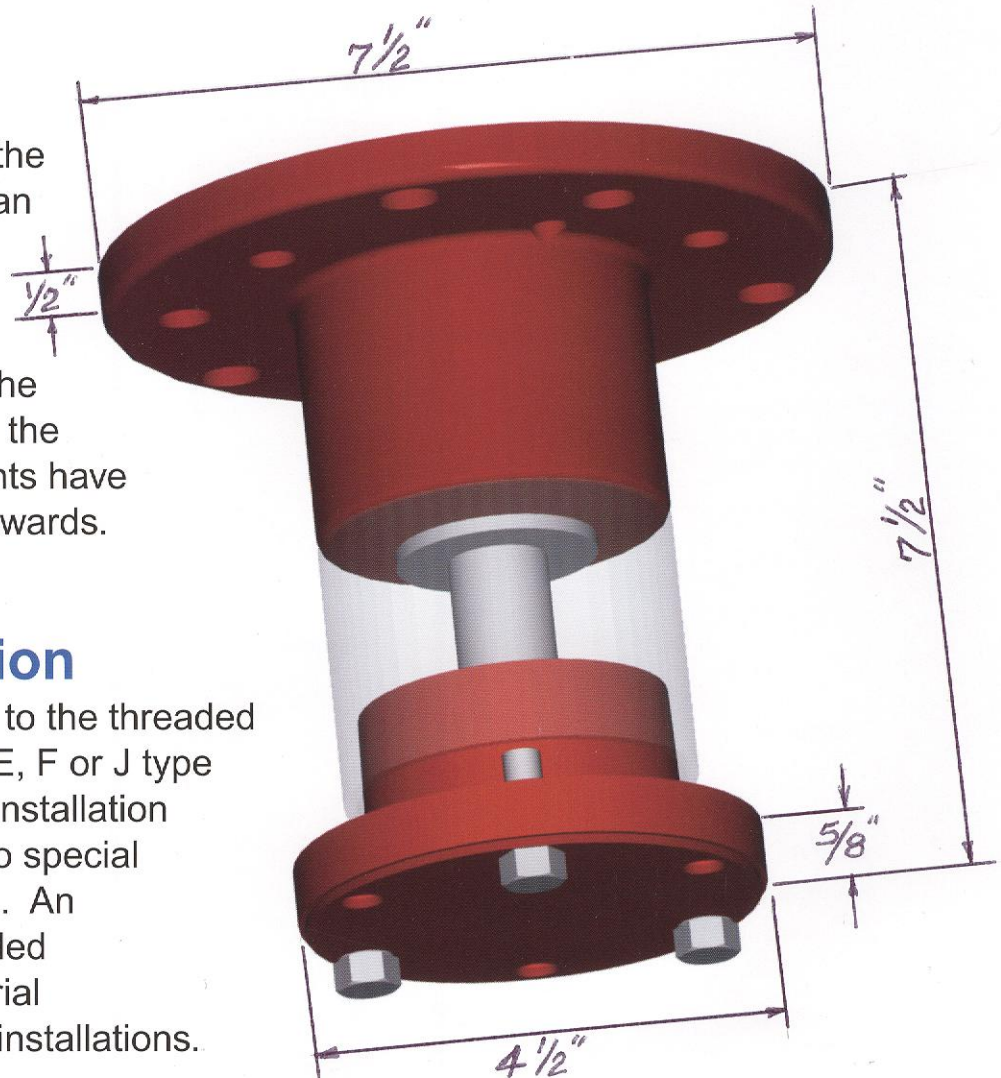
Spin Doctor

Low Cost

The unique design of the Spin Doctor provides an economical solution to wear and damage on fans and drive line components that are the result of starting while the mechanical components have been windmilling backwards.

Easy Installation

The Spin Doctor bolts to the threaded holes in the flange of E, F or J type QD bushings making installation quick and easy with no special parts or tools required. An installation kit is included providing all the material necessary for normal installations.



The Spin Doctor has delivered years of reliable service in applications around the world solving problems where high winds produced excessive windmilling of fans in reverse. To find out more about how it could benefit you, contact AirFlo Cooling Technologies Today.



728 South Wheeling
Tulsa, Oklahoma 74104
Phone (918) 585-5638
Fax (918) 587-3577
www.amarillochittom.com